

Special extrusions

NEW

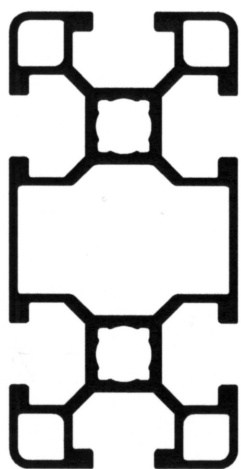
Import Belgium & Luxembourg

Profilex s.a.

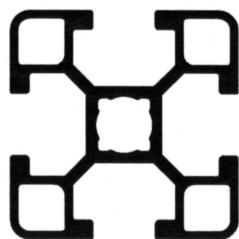
4A, Z.I. In den Allern Tel: 00352/99 89 06
L-9911 Troisvierges Fax: 00352/26 95 73 73

www.profilex-systems.com

profilex@pt.lu



30 x 60
Part N° 20.0994/0



30 x 30
Part N° 20.1068/0



30 x 23
Part N° 20.1117/0

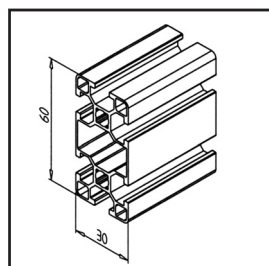


23 x 23
Part N° 20.1116/0

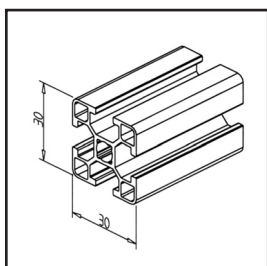


23 x 16
Part N° 20.1115/0

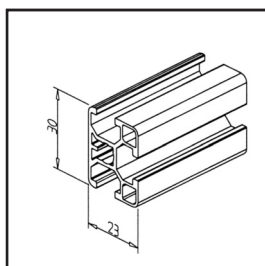
Techn. Data:



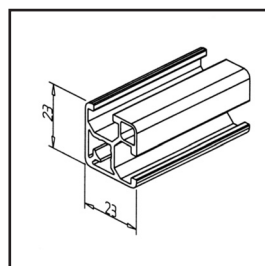
Ix	14,891 cm ⁴
Iy	3,793 cm ⁴
Weight	1,069 kg/m
Length	6 m



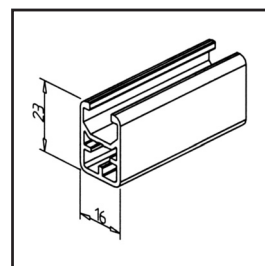
Ix	2,133 cm ⁴
Iy	2,133 cm ⁴
Weight	0,641 kg/m
Length	6 m



Ix	1,187 cm ⁴
Iy	1,566 cm ⁴
Weight	0,524 kg/m
Length	6 m



Ix	0,921 cm ⁴
Iy	0,921 cm ⁴
Weight	0,443 kg/m
Length	6 m



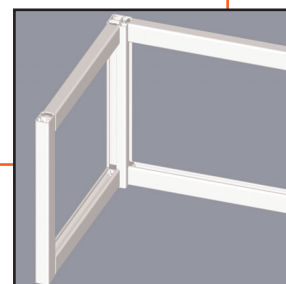
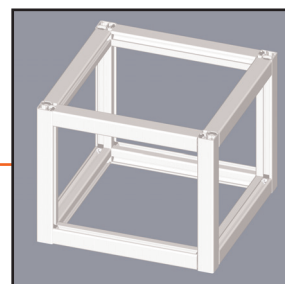
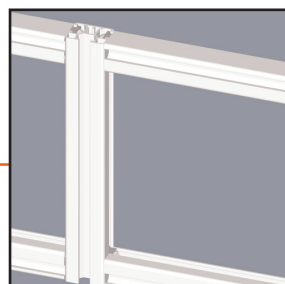
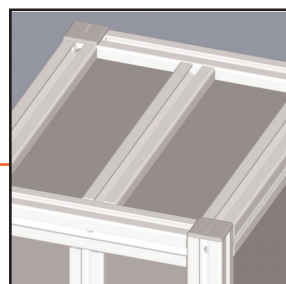
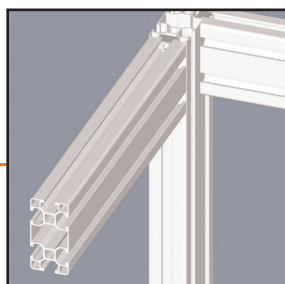
Ix	0,601 cm ⁴
Iy	0,442 cm ⁴
Weight	0,341 kg/m
Length	6 m

Applications:

- Light structures, holders, protective devices
- Small guards and constructions

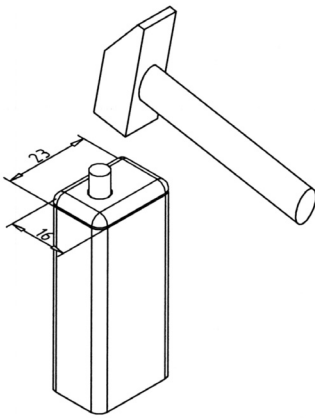
Assembly:

- Power-lock Fastener 30, Part N° 21.0014/0
- Screw connection 30 N, Part N 21.1385/0
- Angle30 GD Part N 21.1347/0 for profile 30 x 60, 30 x 30 und 30 x 23
- Attached parts can be fastened using MiniTec square nuts 30 or rhombus nuts F M6, Part N 21.1354/0

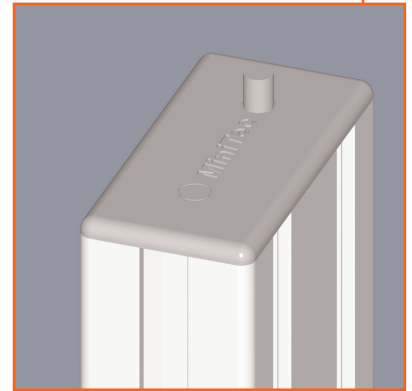


Special extrusions

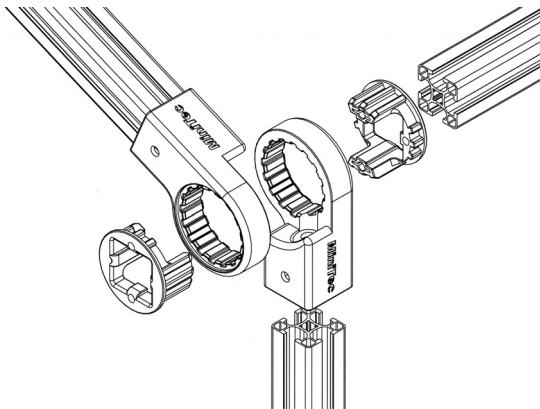
End caps



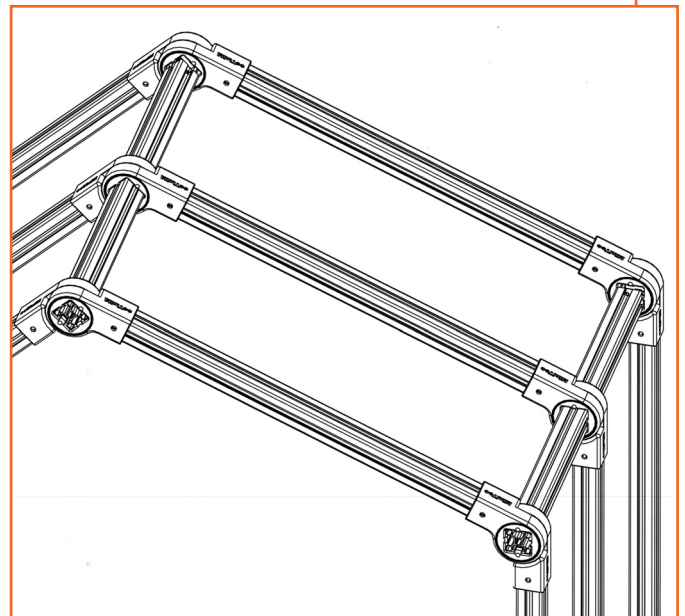
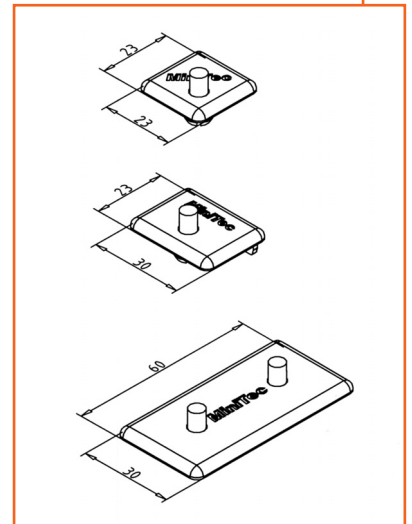
30 x 60	Part N° 22.1134/1
23 x 30	Part N° 22.0993/1
23 x 23	Part N° 22.0992/1
23 x 16	Part N° 22.0994/1



System "Vario" for MiniTec-Profile 30 x 30



- Material: ABS, grey
- For an easy assembling and disassembling of transport frames, sales booths etc.
- You can screw the rotatable parts front-end or sideways on profile 30 x 30
- The internal teeth can be adjusted in 22,5° angular distances
- The inside bushing can be fixed with setscrews



...save time!

MiniTec GmbH & Co. KG
MiniTec Allee 1 · D-66901 Schönenberg-Kbg.
Tel. +49 (0) 63 73/81 27-0 · Fax +49 (0) 63 73/81 27-20
info@minitec.de · www.minitec.de

MiniTec
PROFILE SYSTEM